

LED Perimeter Displays - Synergy-S10



KEY FEATURES

- All-in-one panel design that can be used for both of perimeter display and normal rental screen
- Die cast Magnesium Alloy only has 28kg per panel
- Ultra thin only 128mm depth thickness but with 4 fans in each panel ensure better cooling system
- Waterproof structure with retaining cover IP65
- Perfectly ideal for perimeter, high brightness, low weight, low power consumption, and low cost
- Available in the following pixel pitches: 8mm 10mm



LED Perimeter Displays

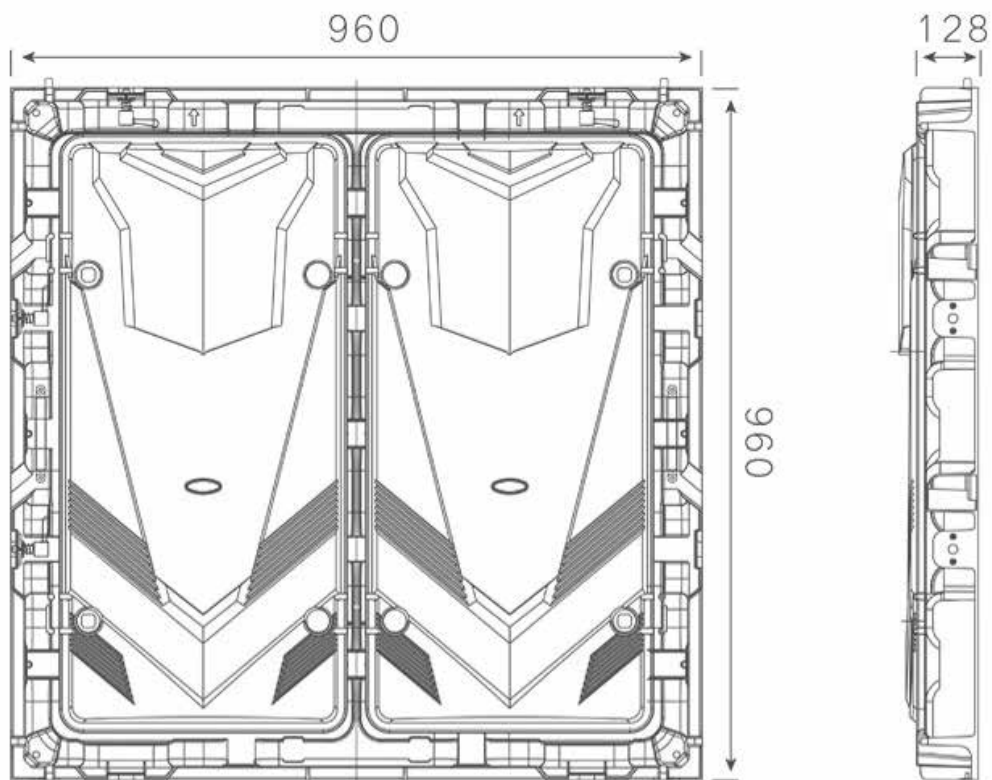
Product Specification

Model	Synergy-S10
LED Type	3-in-1 SMD LEDs
LED Driving Method	1/2 dynamic scan
Pixel Pitch	10mm
Pixel Configuration	SMD 3-in-1 LED(1R1G1B)
LED Cabinet Size	960 x 960 x 128mm
Net Weight	28kg/unit
Power	AC220/110±10%, 47 ~ 63 Hz
Waterproof	IP65
Serviceability	Rear service
Max. Power Consumption	≤860 W/m ²
Avg. Power Consumption	≤260 W/m ²
Horizontal Viewing Angle	140°
Vertical Viewing Angle	140°
Brightness	6,500 nits
Certifications	UL, CE, ETL, ROHS, CCC
Contrast Ratio	3000:1
Operation Temperature	-20°C ~ +60°C
Operation Humidity	20% to 90%
Lifetime (50% brightness)	100,000 hours
Colour depth	16 bit
Colours	281 trillion
Refresh Rate	≥3,840 Hz
Frame Rate	60 fps
Brightness Level	Manually 100 levels, automatically 16 levels

LED Perimeter Displays

Product Specification

STANDARD PANEL DRAWING



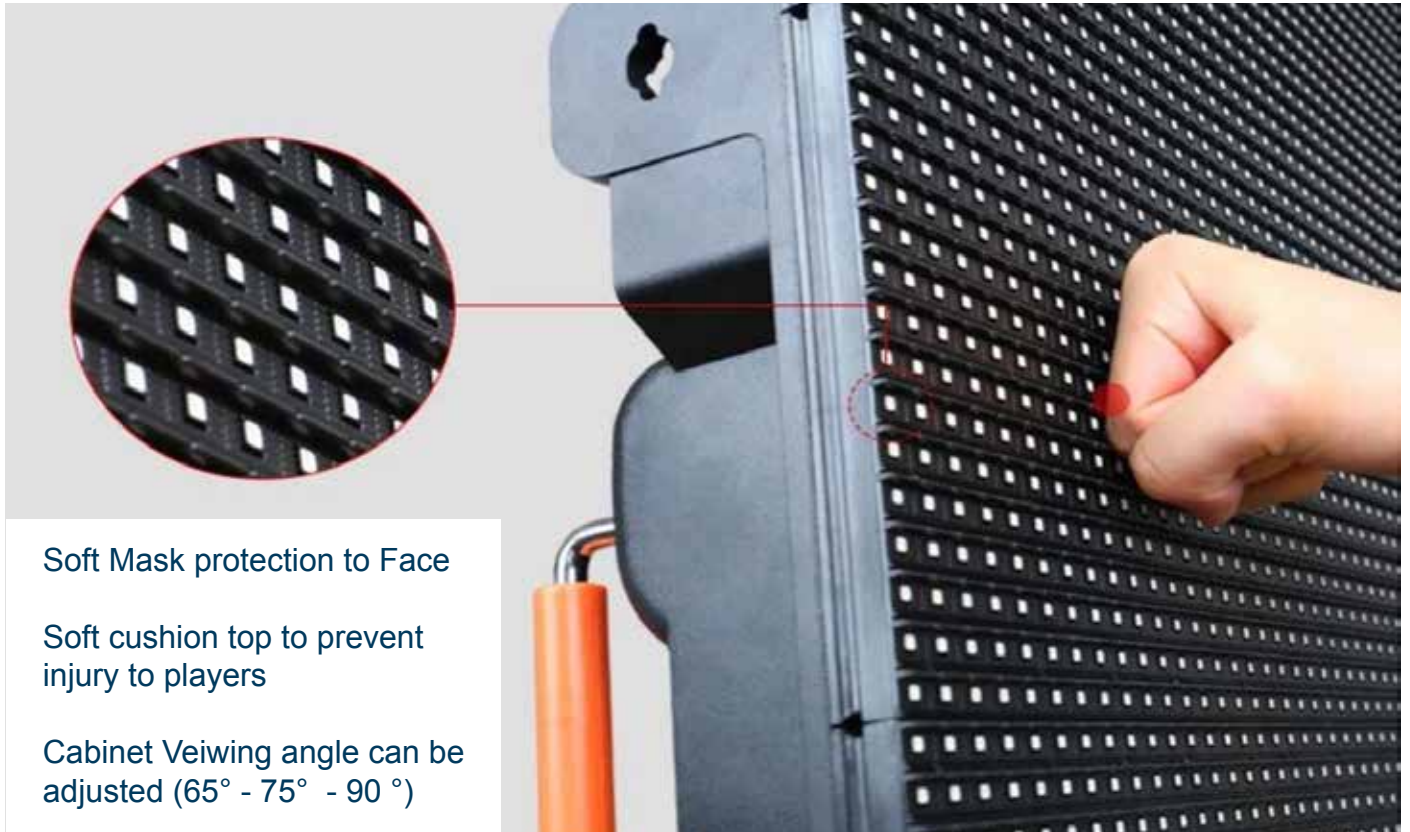
(Unit : mm)



- RGB Colour
- CE Rating
- Low Temperature
- Seamless Construction
- Waterproof IP65
- Easy Maintenance

LED Perimeter Displays

Soft Mask Protection



Soft Mask protection to Face

Soft cushion top to prevent injury to players

Cabinet Viewing angle can be adjusted (65° - 75° - 90 °)



LED Perimeter Displays

Assembly and Installation



Fast installation, two easy locks on the top and two on the side.
For fast assembly and installation on site there are two easy locks on the top and two on the side.
Positioning pin on the top, installed by connector

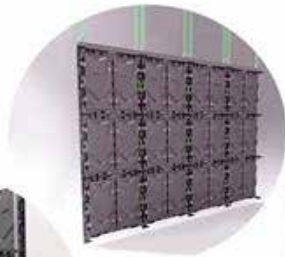


LED Perimeter Displays

Waterproof Design



Double waterproof design will include IP65 connectors and waterproof rubber in vent holes



LED Perimeter Displays

Examples of Perimeter Displays

